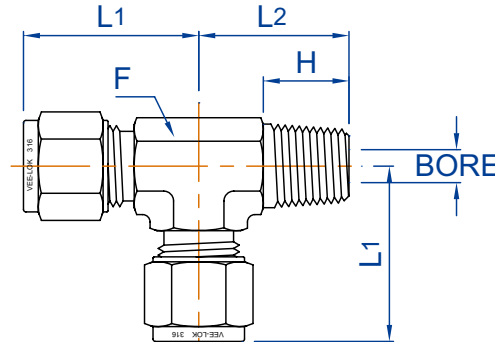


MALE RUN TEE



TUBE O.D.	MALE THREAD	PART NO.	L1	L2	H	F	BORE
INCHES							
1/8	1/8	MRT2-2	1.09	0.71	0.38	1/2	0.09
1/8	1/4	MRT2-4	1.04	0.96	0.56	1/2	0.09
1/4	1/8	MRT4-2	1.07	0.72	0.38	1/2	0.20
1/4	1/4	MRT4-4	1.06	0.96	0.56	1/2	0.20
5/16	1/8	MRT5-2	1.16	0.82	0.38	5/8	0.20
3/8	1/4	MRT6-4	1.20	0.95	0.56	5/8	0.28
3/8	3/8	MRT6-6	1.18	1.11	0.56	5/8	0.28
1/2	3/8	MRT8-6	1.44	1.15	0.56	13/16	0.38
1/2	1/2	MRT8-8	1.44	1.40	0.75	7/8	0.41
5/8	1/2	MRT10-8	1.59	1.50	0.75	1	0.47
3/4	3/4	MRT12-12	1.59	1.50	0.75	1	0.61
1	3/4	MRT16-12	2.00	1.81	0.75	1-3/8	0.61
1	1	MRT16-16	2.00	1.89	0.94	1-3/8	0.86

TUBE O.D.	MALE THREAD	PART NO.	L1	L2	H	F	BORE
MILLIMETERS							
6	1/8	MMRT6-2	27.20	18.30	9.70	1/2	5.00
6	1/4	MMRT6-4	26.70	24.30	14.20	1/2	5.00
8	1/8	MMRT8-2	29.50	20.80	9.70	5/8	5.00
8	1/4	MMRT8-4	29.50	24.70	14.20	5/8	6.50
10	1/4	MMRT10-4	31.60	26.40	14.20	11/16	7.10
10	1/2	MMRT10-8	34.40	35.30	19.00	7/8	7.90
12	1/4	MMRT12-4	36.60	29.10	14.20	13/16	7.10
12	3/8	MMRT12-6	36.60	29.10	14.20	13/16	9.50
12	1/2	MMRT12-8	36.60	35.50	19.00	7/8	9.50
16	1	MMRT16-16	47.90	48.00	23.90	1-3/8	12.70

Dimensions for reference only, subject to change without prior notice